



WV-TW310 SERIES

Wearable Camera

- Wide-angle 180° horizontal and 140° vertical field of view
- Approximately 32 hours of recording time using H.264 compression
- Evidence-grade tamper-proof file security
- Optional pre-record setting for up to 30 seconds
- Auto day/night mode switching
- Image correction and video stabilization via Viewer software
- Auto PC upload of video evidence files via Ethernet
- Built-in microphone
- Sealed all-weather design

Body-worn evidence capture.

The Panasonic WV-TW310 series wearable camera is a rugged, tamper-proof 1.3MP camera designed to complement your mobile digital video system and be worn on the body. Available with a short or long cable, the camera is engineered to excel in demanding environments. Featuring a high-quality fish-eye lens that achieves extremely wide angles of view and an intelligent software solution that offers image stabilization and flexibility in mounting options, critical evidence can be captured anytime, anywhere. Helping you maintain evidentiary integrity is how we're engineering a better world.

Agent/Viewer Software

- Agent software allows automatic uploads of video image data to PC via a conversion box
- Viewer software enables fish-eye original images to play back with stabilization and distortion correction



Original Fish-eye Image



Corrected Image

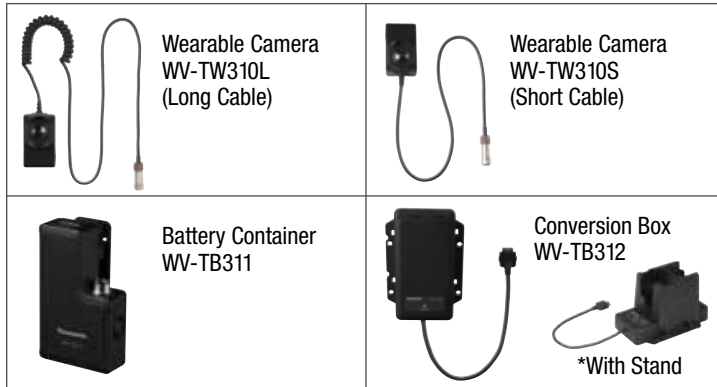


1.888.357.1107

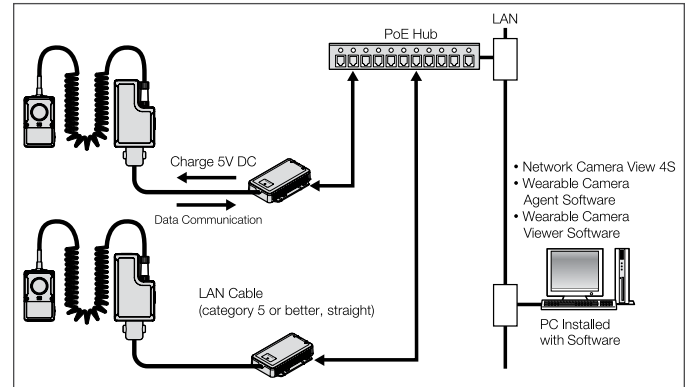
us.panasonic.com/wearablecamera

SOLUTIONS FOR PUBLIC SAFETY

WV-TW310 COMPONENTS



SYSTEM CONNECTION EXAMPLE



WV-TW310 SPECIFICATIONS

BASIC	
Power Source	12V DC, PoE (IEEE802.3af compliant)
Power Consumption	12V DC*: 650 mA, PoE: 11W (Class 0 device) *Only Connect 12V DC Class 2 Power Supply or Limited Power Source.
Ambient Operating Temperature	14°F to 122°F; While worn on body: 14°F to 113°F
Battery	WV-TB311 (Lithium-ion battery) only
Dimensions	1-25/32"W x 2-15/16"H x 1-5/8"D (Excluding the cable and projection)
Weight	WV-TW310L: Approx. 0.46 lbs. WV-TW310S: Approx. 0.35 lbs.
Cable Length	WV-TW310L: 37-3/8" WV-TW310S: 23-5/8"
Finish	Black
CAMERA	
Image Sensor	1/4 type MOS sensor
Effective Pixels	Approx. 1.3 megapixels
Scanning Area	5/32"H x 11/100"V
Scanning System	Progressive
Minimum Illumination	1.5lux (color); 1.0lux (B/W)
Gain (AGC)	On (Low) / On (Mid) / On (High) / Off
Wide Dynamic Range	On / Off
Adaptive Black Stretch	On / Off
Back Light Compensation	On / Off
Light Control Mode Setting	Indoor scene (50 Hz/60 Hz) / ELC
Maximum Exposure Time	1/30, 3/100, 3/120, 2/100, 2/120, 1/100, 1/120, 1/250, 1/500, 1/1000, 1/2000, 1/4000, 1/10000
Day & Night (electrical)	Off / Auto
White Balance	ATW1 / ATW2 / AWC
Digital Noise Reduction	High / Low
LENS	
Focal Length	0.82mm
Maximum Aperture Ratio	1:2.6
Angular Field of View	Horizontal: 180°, Vertical: 140°
NETWORK	
Interface	10/100 Ethernet (RJ-45)
Resolution	Aspect ratio: 4:3 H.264 1280 x 960 JPEG 640 x 480 (Only HTML on PC, 5 fps)
Image Compression Method	H.264 Transmission type: Unicast Video bit rate: 2048 kbps / 4096 kbps / 8192 kbps Frame rate priority: 15 fps / 30 fps
Audio Compression Method	G.726 (ADPCM) 32 kbps
Protocol	IPv6: HTTP, FTP; IPv4: HTTP, FTP, DHCP
OS ^{1,2}	Microsoft Windows® 7 / Microsoft Windows Vista® / Microsoft Windows® XP SP3
Browser	Windows Internet Explorer 9.0 (32-bit) Windows Internet Explorer 8.0 (32-bit) Windows Internet Explorer 7.0 (32-bit) Microsoft Internet Explorer 6.0 SP3
Maximum Concurrent Access Number	Up to 10 at JPEG, Up to 4 at H.264
Compatible SDHC Memory Card (option)	Manufactured by Panasonic SDHC memory card: 32GB, Class 10

*1. Refer to Notes on Windows® / Internet Explorer® versions (included in CD-ROM) for further information about system requirements for a PC and precautions when using Microsoft Windows® 7, Microsoft Windows Vista® or Internet Explorer.
*2. When using IPv6 for communication, use Microsoft Windows® 7 or Microsoft Windows Vista®.

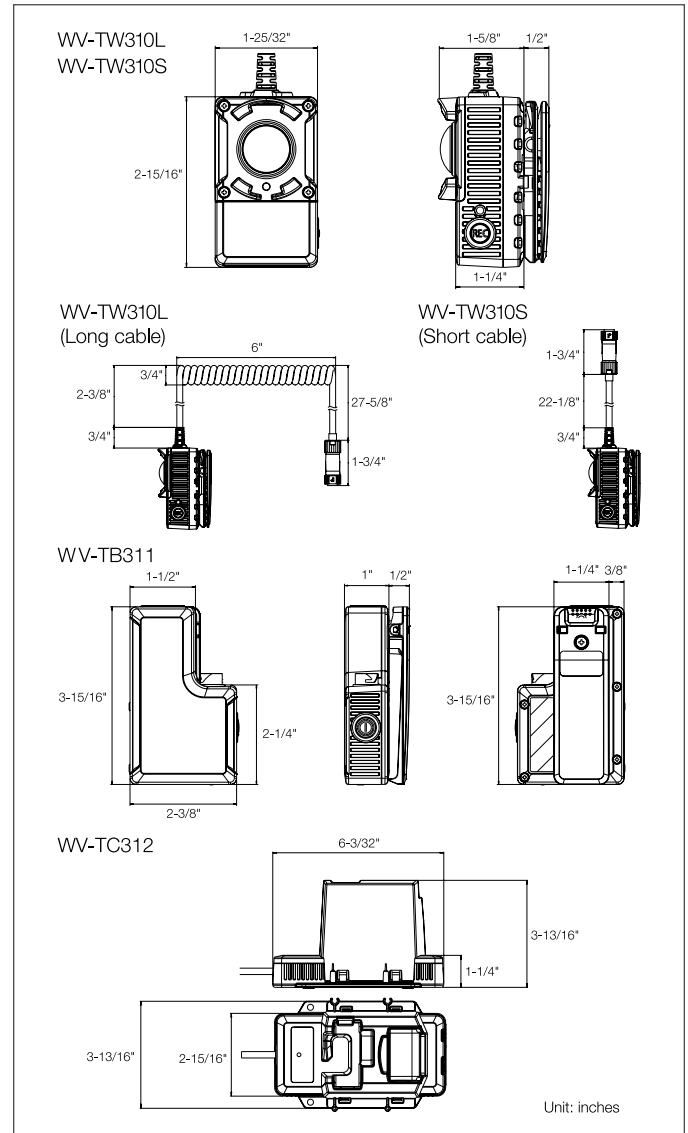
Important

- Panasonic recommends a dedicated PC to prevent installation errors and to keep best performance.
- Safety precaution: carefully read the operating instructions and installation manual before using this product.
- Panasonic cannot be responsible for network performance and/or other manufacturer products that reside on the network.

1.888.357.1107

us.panasonic.com/wearablecamera

DIMENSIONS



- All TV pictures are simulated.
- Masses and dimensions are approximate.
- Specifications are subject to change without notice.
- These products may be subject to export control regulations.